

PARTS LIST AND DESCRIPTIONS TUBES (SYLVANIA or Equivalent)

ADMIRAL
MODEL 6A22

CHASSIS—TOP VIEW

ITEM No.	USE	REPLACEMENT DATA			RMA BASE TYPE	INSTALLATION NOTES
		ADMIRAL PART No.	STANDARD REPLACEMENT			
V1	RF Amp.	12SK7	12SK7		8N	
V2	Converter	12SA7	12SA7		8R	
V3	IF Amp.	12SK7	12SK7		8N	
V4	DET. -AVC-AF	12SQ7	12SQ7		9C	
V5	Power Output	35L6GT	35L6GT		7AC	
V6	Rectifier	35Z5GT	35Z5GT		6AD	

CAPACITORS

Capacity values given in the rating column are in mfd. for Electrolytic and Paper Capacitors, and in mmfd. for Mica and Ceramic Capacitors.

ITEM No.	RATING		REPLACEMENT DATA					IDENTIFICATION CODES AND INSTALLATION NOTES	
	CAP.	VOLT	ADMIRAL PART No.	AEROVOX PART No.	CENTRALAB PART No.	CORNELL-DUBILIER PART No.	ERIE PART No.		SPRAGUE PART No.
C1A	.70	150	67A17	PRSA150/80-40		EDL8415		TVA-2640	Filter-Red Filter-Yellow AVC Filter Osc. Grid Cap. Tuning Cap. Isolation Diode RF Filter Diode RF Filter Audio Coupling AF Amp. Plate Audio Coupling AF Amp. Dec. Output Plate Line Isolation Line Filter
C1B	.30	150							
C2	.1	200	64B1-30	P288-1 GP50M P488-05	D6-500		GPIK-50	TM-1 1FM-45	
C3	.50	400	65B6-4					TM-15	
C4	.05	400	64B1-22	GP100M	D6-101		GPIK-100	1FM-31	
C5A	100	400	*	GP100M	D6-101		GPIK-100	1FM-31	
C5B	100	400		GP100M	D6-101		GPIK-100	1FM-31	
C6	.01	400	64B1-25	P488-01	D6-103		811-01	TM-11	
C7A	250	400	†	GP250M	D6-251		GP2K-250	1FM-325	
C7B	10000	400		BPD-10	D6-103		811-01	36C1	
C8	.1	200	64B1-30	P288-1				TM-1	
C9	.02	400	64B1-24	P488-02				TM-12	
C10	.18	200	64A2-2	P288-15				72P53	
C11	.05	400	64B1-22	P488-05				TM-15	

* Items C5A, C5B and R4 are combined into one unit obtainable under MFR'S Part No. 63A3-1.
† Items C7A, C7B, R6A and R6B are combined into one unit obtainable under MFR'S Part No. 63A5-1.

CONTROLS

ITEM No.	RATING		REPLACEMENT DATA				INSTALLATION NOTES
	RESISTANCE	WATTS	ADMIRAL PART No.	IRC PART No.	CLAROSTAT PART No.	CENTRALAB PART No.	
RIA	1 Meg.	1/2	75B1-36	Q13-137	AG-63-Z	BSK-70-S	Volume control Attach to RIA per instructions Attach to RIA per instructions
B	Shaft		Not Req.	Not Req.	KSS-3	Not Req.	
C	Switch		Not Req.	76-1	SWB	Not Req.	

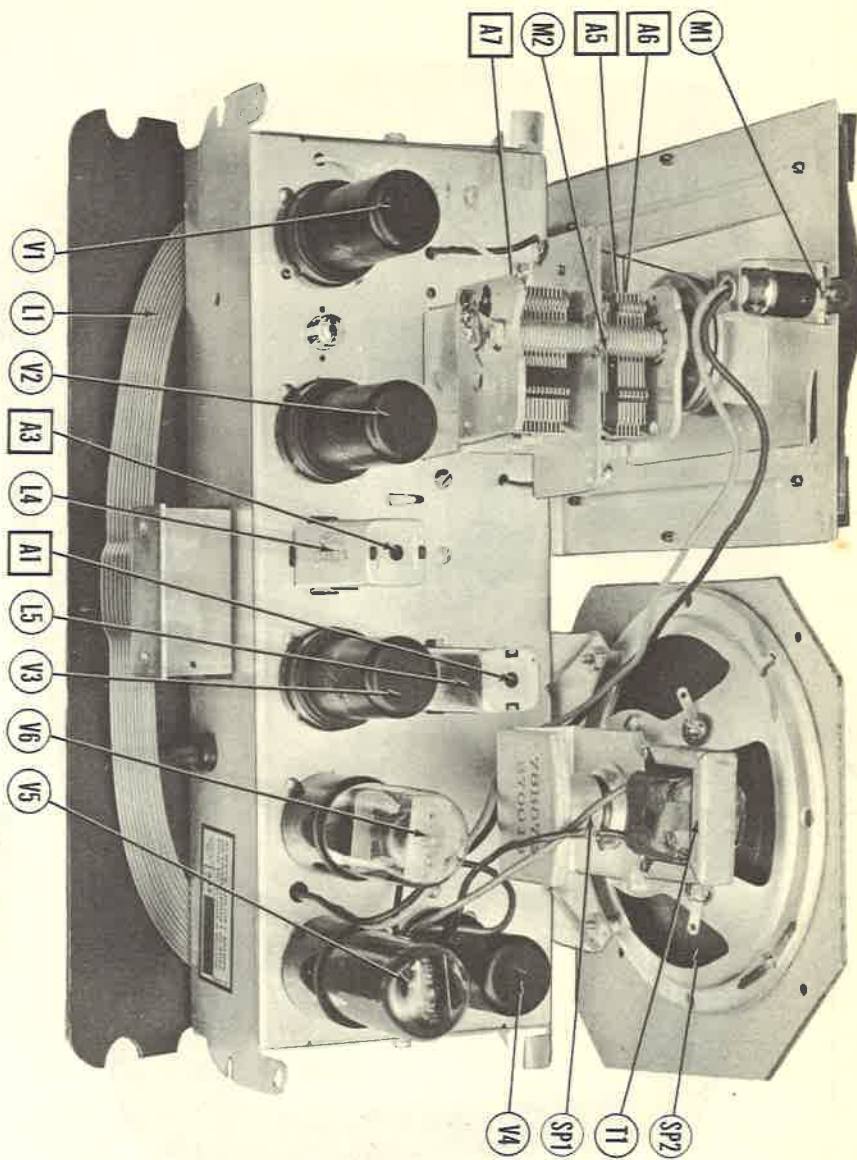
RESISTORS

ITEM No.	RATING		REPLACEMENT DATA		IDENTIFICATION CODES
	RESISTANCE	WATTS	ADMIRAL PART No.	IRC PART No.	
R2	22KΩ	1/2	60B8-223	BTS-22K	Osc. Grid
R3	1.2 Meg.	1/2	60B8-125	BTS-1.2 Meg.	AVC Network
R4	47KΩ	1/2	*	BTS-47K	Diode Filter
R5	4.7 Meg.	1/2	60B8-475	BTS-4.7 Meg.	AF Grid
R6A	470KΩ	1/2	†	BTS-470K	AF Plate
R6B	470KΩ	1/2	†	BTS-470K	Output Grid
R7	47KΩ	1/2	60B8-473	BTS-47K	AF Plate Decoupling
R8	150Ω	1/2	60B8-151	BW-1/150	Output Cathode
R9	1000Ω	1	60B28-2	BTA-1000	Filter
R10	33Ω	1	60B28-3		Surge Limiter
R11	150KΩ	1	60B8-154	BTA-150K	Isolation

† Items R6A, R6B, C7A and C7B are combined into one unit obtainable under MFR'S Part No. 63A5-1.
* Items R4, C5A and C5B are combined into one unit obtainable under MFR'S Part No. 63A3-1.

TRANSFORMER (AUDIO OUTPUT)

ITEM No.	RATING				REPLACEMENT DATA				INSTALLATION NOTES
	IMPEDANCE		DC RES.		ADMIRAL PART No.	STANCOR PART No.	MERIT PART No.	CHICAGO PART No.	
	PRI.	SEC.	PRI.	SEC.					
T1	2750Ω	3.8Ω	220Ω	.7Ω	Part of SP1	A-3332 ①	A-3025 ①		① Bend mounting tabs down and mount on original bracket.



PARTS LIST AND DESCRIPTIONS (Continued) SPEAKER

ITEM No.	RATINGS		REPLACEMENT DATA			INSTALLATION NOTES
	FIELD	V. C. IMP.	ADMIRAL PART No.	JENSEN PART No.	QUAM PART No.	
SP1	PM	3.8Ω	78B57-2	ST-105 ② MOD. P5-X	5A07 ②	② Remount output transformer.
SP2	CONE DIA.	V. C. DIA.				
	4 7/8"	9/16"				

R F COILS

ITEM No.	USE	DC RES.		REPLACEMENT DATA		INSTALLATION NOTES
		PRI.	SEC.	ADMIRAL PART No.	MEISSNER PART No.	
L1	Loop Ant.	3.8Ω		69C19-1		Includes cabinet back Tap at 1Ω
L2	RF Coil	2.1Ω	11Ω	69A115-1		
L3	Osc. Coil	8Ω		69A52-2	14-1073	
L4	1st IF	20Ω	20Ω	72B28-7	16-6758	
L5	2nd IF	20Ω	20Ω	72B28-7	16-6758	

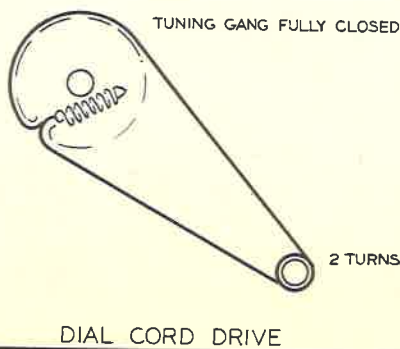
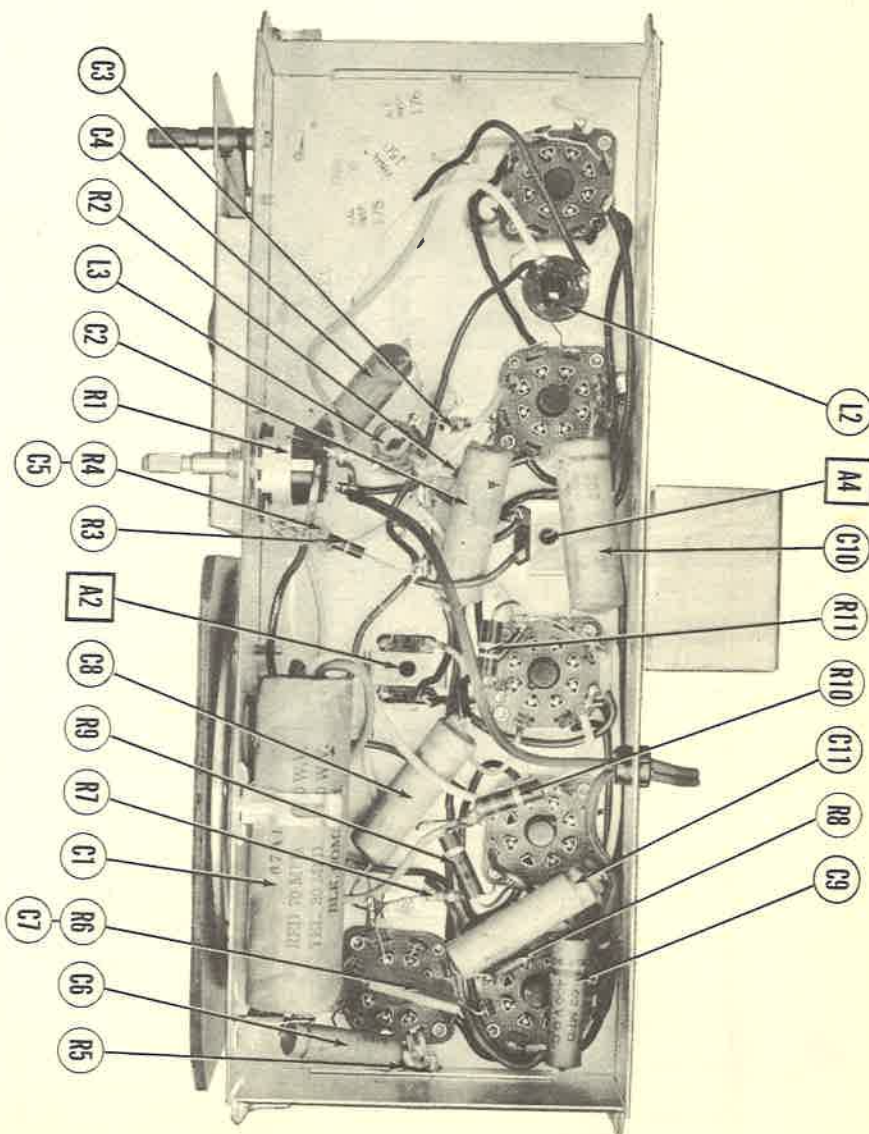
DIAL LIGHTS

ITEM No.	BASE TYPE	VOLTS	AMPS.	BEAD COLOR	REPLACEMENT DATA		NOTES
					ADMIRAL PART No.		
M1	Bayonet	6-8	.15	Brown	81A1-8		Type #47

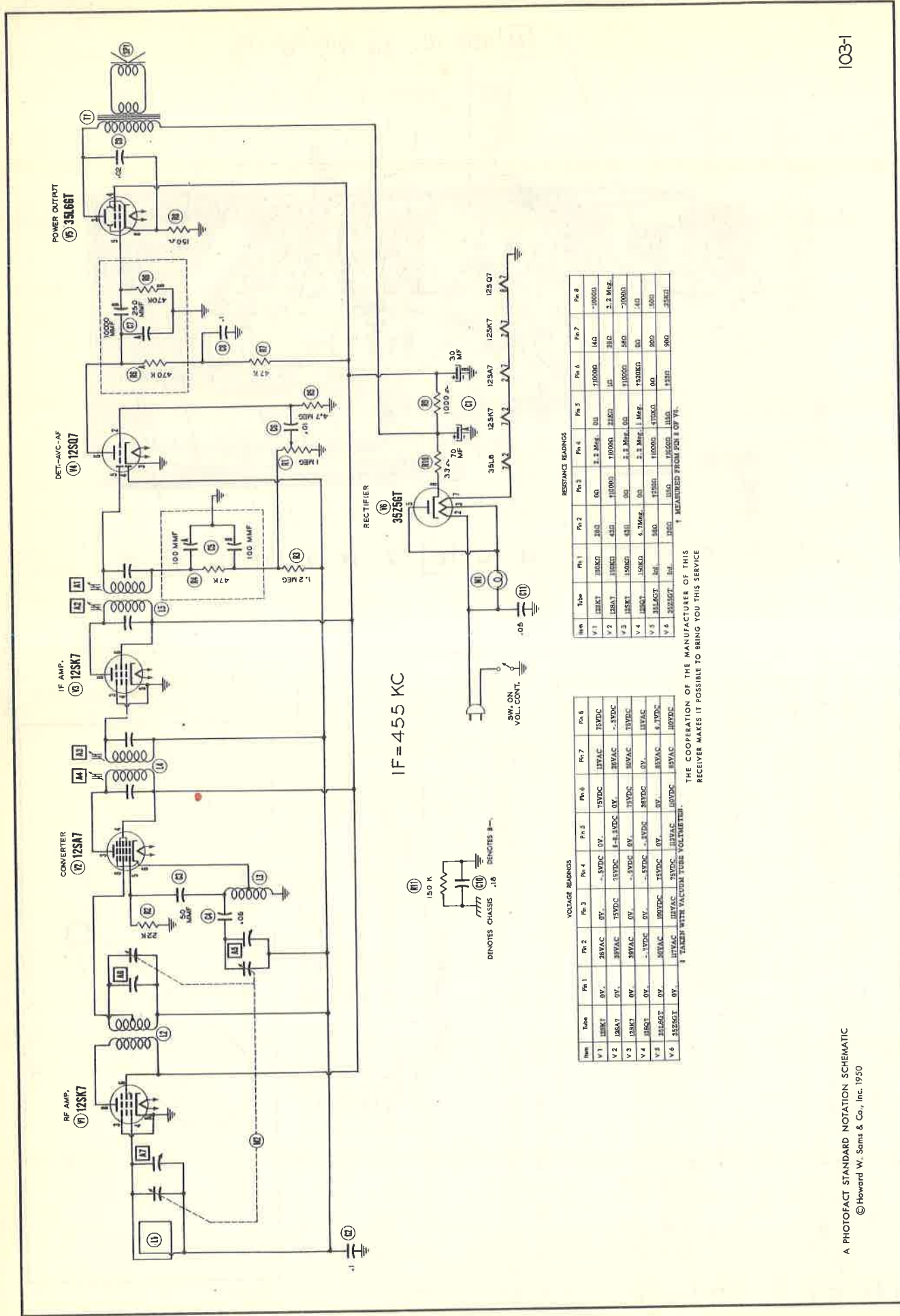
MISCELLANEOUS

ITEM No.	PART NAME	ADMIRAL PART No.	NOTES
M2	3 Gang Var. Cap. Dial Pointer Cabinet Cabinet Cabinet Knob Knob Knob	68B33-2 25A39 34D25-1 34D25-2 34D25-3 33A21-11 33A21-12 33A21-13	(33-477MMF, 17-258MMF, 15-155MMF) Model 6A21 Model 6A22 Model 6A23 Model 6A21 Model 6A22 Model 6A23

CHASSIS—BOTTOM VIEW



DIAL CORD DRIVE

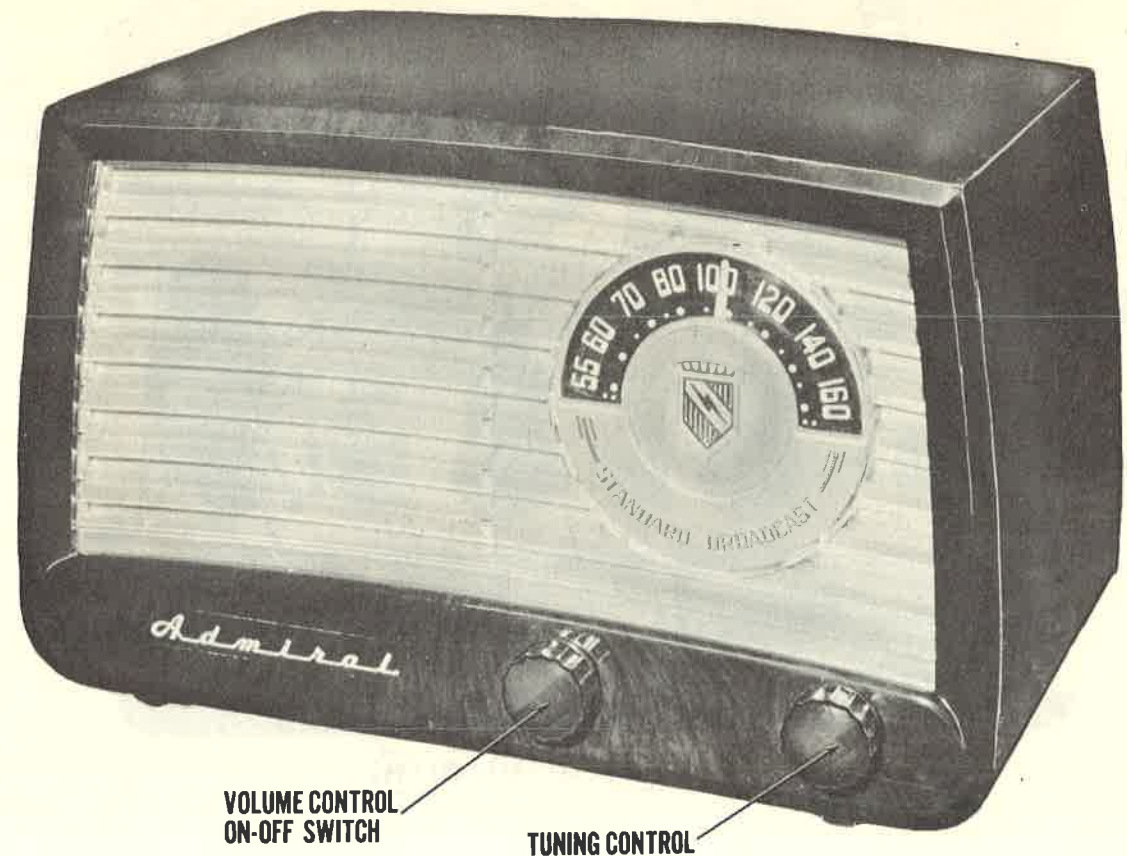


103-1

A PHOTOFACT STANDARD NOTATION SCHEMATIC © Howard W. Sams & Co., Inc. 1950

1. DC Voltage measurements are at 20,000 ohms per volt; AC Voltages measured at 1,000 ohms per volt.
2. Socket connections are shown as bottom views.
3. Measured values are from socket pin to common negative.
4. Line voltage maintained at 117 volts for voltage readings.
5. Nominal tolerance on component values makes possible a variation of $\pm 10\%$ in voltage and resistance readings.
6. Volume control at maximum, no signal applied for voltage measurements.

ADMIRAL CHASSIS 6A2



ADMIRAL CHASSIS 6A2

ADMIRAL MODEL 6A22

TRADE NAME	Admiral, Models 6A21, 6A22, 6A23 (Ch. 6A2)					
MANUFACTURER	Admiral Corp. 3800 W. Cortland St., Chicago 47, Illinois					
TYPE SET	AC-DC Operated Superheterodyne Receiver with Loop Antenna					
TUBES (SIX)	Types 12SK7 IF Amp., 12SA7 Converter, 12SK7 IF Amp., 12SK7 DET-AVC-AF, 35L6GT Power Output, 3Z55GT Rectifier					
POWER SUPPLY	110-120 Volts AC -DC	RATING	.26 Amp. at 117 Volts AC			
TUNING RANGE—BROADCAST	540-1600KC					
ALIGNMENT INSTRUCTIONS—READ CAREFULLY BEFORE ATTEMPTING ALIGNMENT						
To set pointer turn tuning gang fully closed and set pointer in horizontal position parallel with base of dial. Use isolation transformer if available. If not connect a .1MFD capacitor in series with low side of signal generator and B-. Loop should be maintained in same relative position to chassis as when receiver is in cabinet. Volume control should be at maximum position. Output of signal generator should be no higher than necessary to obtain an output reading. Use an insulated alignment screwdriver for adjusting.						
DUMMY ANTENNA	SIGNAL GENERATOR COUPLING	SIGNAL GENERATOR FREQUENCY	RADIO DIAL SETTING	OUTPUT METER	ADJUST	REMARKS
1. 250MMF	High side to pin 8 (Grid) of 12SA7 (V2). Low side to B-.	455KC (400 ν Mod.)	Tuning gang fully open	Across voice coil	A1, A2, A3, A4	Adjust for maximum output. If isolation transformer is not used, reduce dummy antenna to .001MFD to reduce hum modulation.
2. "	High side to pin 4 (Grid) of 12SK7 (V1). Low side to B-.	1620KC	"	"	A5	Adjust for maximum output.
3. "	Loop	1400KC	Tune for max. output	"	A6	Fashion loop of several turns of wire and radiate signal into loop of receiver. Adjust for maximum output.
4. "	Loop	"	"	"	A7	"

HOWARD W. SAMS & CO., INC. • Indianapolis 1, Indiana

"The listing of any available replacement part herein does not constitute in any case a recommendation, warranty or guaranty by Howard W. Sams & Co., Inc., as to the quality and suitability of such replacement part. The numbers of these parts have been compiled from information furnished to Howard W. Sams & Co., Inc., by the manufacturers of the particular type of replacement part listed." "Reproduction or use, without express permission, of editorial or pictorial content, in any manner, is prohibited. No patent liability is assumed with respect to the use of the information contained herein. Copyright 1950 by Howard W. Sams & Co., Inc., Indianapolis 1, Indiana, U. S. of America. Copyright under International Copyright Union. All rights reserved under Inter-American Copyright Union (1910) by Howard W. Sams & Co., Inc." Printed in U. S. of America