

PARTS LIST AND DESCRIPTIONS

TUBES (SYLVANIA or Equivalent)

ADMIRAL
CHASSIS 5G2

ITEM No.	USE	REPLACEMENT DATA			RMA BASE TYPE	INSTALLATION NOTES
		ADMIRAL PART No.	STANDARD REPLACEMENT			
V1	Converter	12BE6	12BE6		7CH	
V2	IF Amplifier	12BA6	12BA6		7BK	
V3	Det. -AVC-AF	12AV6	12AV6		7BT	
V4	Power Output	50C5	50C5		7CV	
V5	Rectifier	35W4	35W4		5BQ	

CAPACITORS

Capacity values given in the rating column are in mfd. for Electrolytic and Paper Capacitors, and in mmfd. for Mica and Ceramic Capacitors.

ITEM No.	RATING		REPLACEMENT DATA					IDENTIFICATION CODES AND INSTALLATION NOTES	
	CAP.	VOLT	ADMIRAL PART No.	AEROVOX PART No.	CENTRALAB PART No.	CORNELL-DUBILIER PART No.	ERIE PART No.		SPRAGUE PART No.
C1A	50	150	67A22-1	PRS150/50-30		BRD5315A		TVA-2450	Filter
C1B	30	150							Filter
C2	47		65C6-79	SI47	D6-470		GPIK-470	19C25	Osc. Grid Cap.
C3	.05	400	64B1-22	P488-05	DF-503	PTE4S5		4TM-S5	Tuning Cap. Isolation
C4	.1	200	64B1-30	P288-1	DF-104	PTE4P1		2TM-P1	AVC Filter
C5	220		65C6-80	SI220	D6-221		GP2K-221	19C13	Diode RF Filter
C6	.01	400	64B1-25	P488-01	D6-103	PTE4S1	GP2-333-103	4TM-S1	Audio Coupling
C7A									AF Amp. Plate
C7B	.005	400	63A5-4	P688-005	PC-70	PTE6D5	GP2-333-502	6TM-D5	Audio Coupling
C7C									Output Grid
C8	.02	400	64B1-24	P488-02	DF-203	PTE4S2		4TM-S2	Output Plate
C9	.1	200	64B1-30	P288-1	DF-104	PTE4P1		2TM-P1	Line Isolation
C10	.047	400	64B8-28	P488-047	DF-503	PTE4S5		4TM-S47	Line Filter

Items C7A, C7B, C7C, R6A, R6B, are combined in one unit. When replacing with individual components C7A, C7C should total 250MMF.

CONTROLS

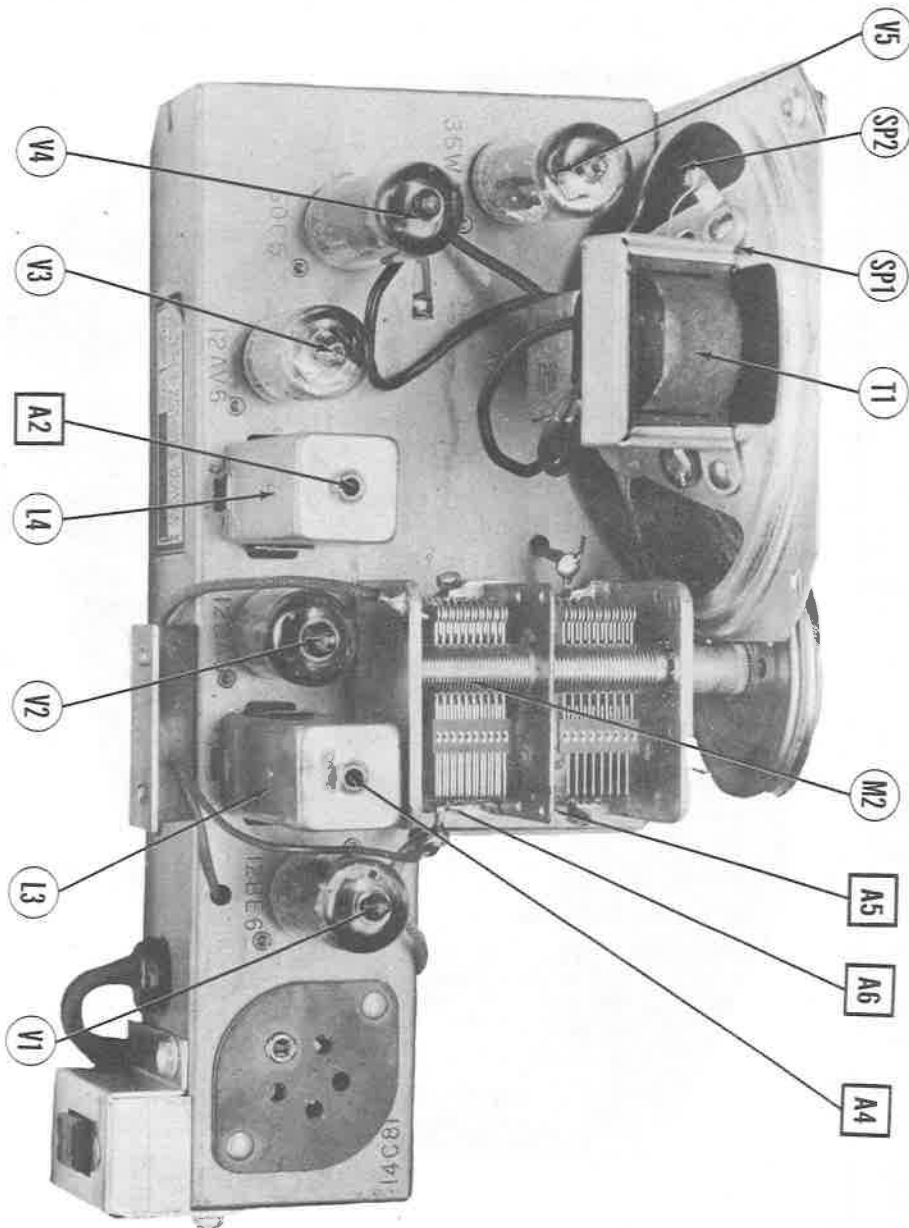
ITEM No.	RATING		REPLACEMENT DATA				INSTALLATION NOTES
	RESISTANCE	WATTS	ADMIRAL PART No.	IRC PART No.	CLAROSTAT PART No.	CENTRALAB PART No.	
RIA	1Meg.		75B1-41	Q13-137	AG-63-Z	BSK-70-S	Volume Control Attach to RIA per instructions Attach to RIA per instructions
B	Shaft		Not req.	Not req.	KSS-3	Not req.	
C	Switch		Not req.	76-1	SWB	Not req.	

RESISTORS

ITEM No.	RATING		REPLACEMENT DATA		IDENTIFICATION CODES
	RESISTANCE	WATTS	ADMIRAL PART No.	IRC PART No.	
R2	22K Ω		60B8-223	BTS-22K	Osc. Grid
R3	100 Ω		60B8-101	BTS-100	IF Amp. Cathode
R4	1Meg		60B8-105	BTS-1Meg	AVC Network
R5	4.7Meg		60B8-475	BTS-4.7Meg	AF Amp. Grid
R6A	500K Ω		63A5-4	BTS-470K	AF Amp. Plate
R6B	500K Ω			BTS-470K	Output Grid
R7	150 Ω		60B8-151	BTS-150	Output Cathode
R8	1000 Ω		60B28-2	BTA-1000	Filter
R9	33 Ω		60B28-3		Surge Limiter

Items R6A, R6B, C7A, C7B, and C7C are combined into one unit.

CHASSIS—TOP VIEW



PARTS LIST AND DESCRIPTIONS (Continued)

TRANSFORMER (AUDIO OUTPUT)

ITEM No.	RATING				REPLACEMENT DATA				INSTALLATION NOTES
	IMPEDANCE		DC RES.		ADMIRAL PART No.	STANCOR PART No.	MERIT PART No.	CHICAGO PART No.	
	PRI.	SEC.	PRI.	SEC.					
T1	2.7K Ω	3.1 Ω	200 Ω	.6 Ω		A-3332	A-3025	R0-2 ①	① Drill one new mounting hole.

SPEAKER

ITEM No.	RATINGS		REPLACEMENT DATA			INSTALLATION NOTES
	FIELD	V. C. IMP.	ADMIRAL PART No.	JENSEN PART No.	QUAM PART No.	
	PM	3.15				
SP1	4"	9/16"	78B65-1 ②	ST113 Model P4-X	4J4	② Includes output transformer
SP2						

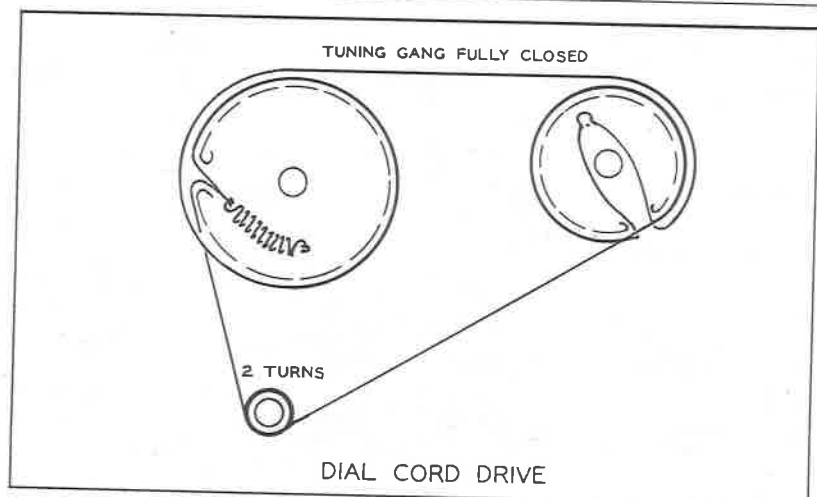
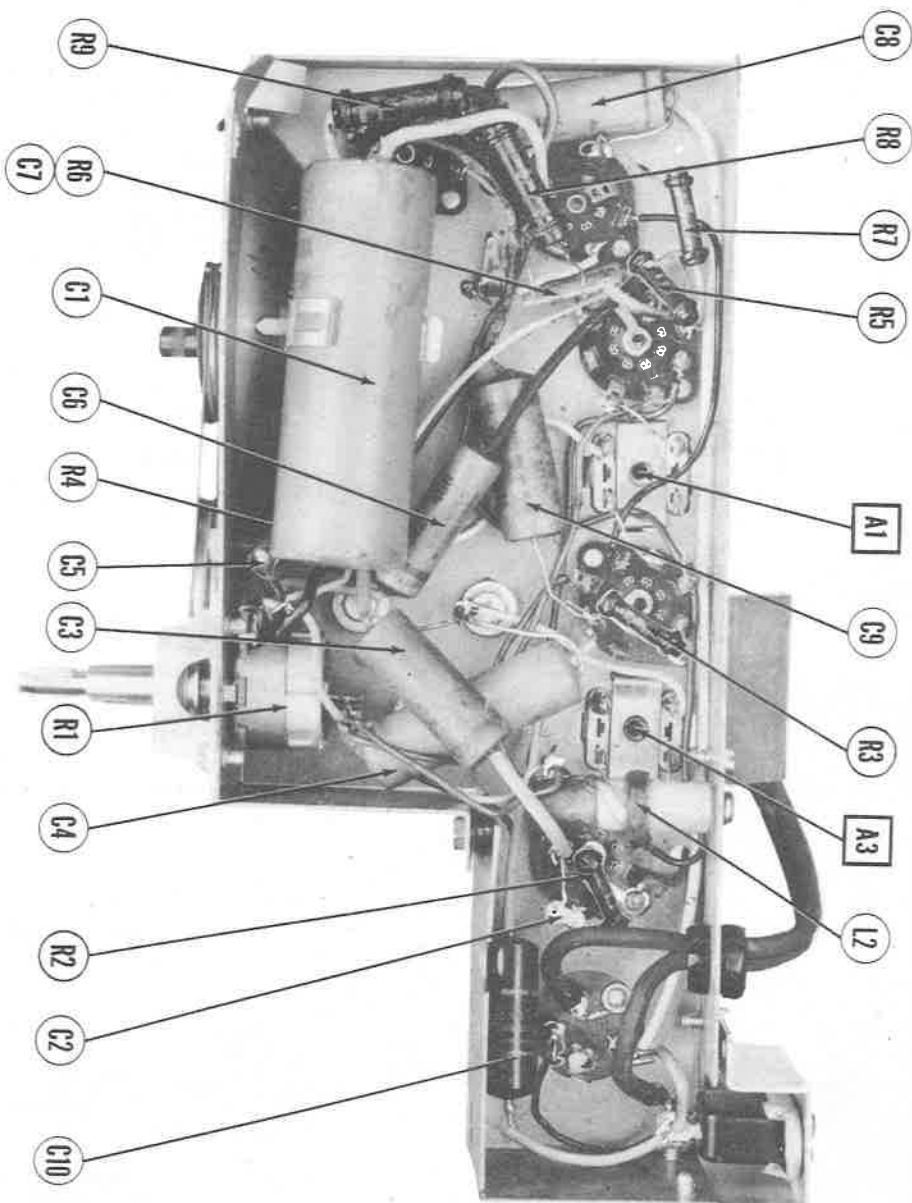
R F COILS

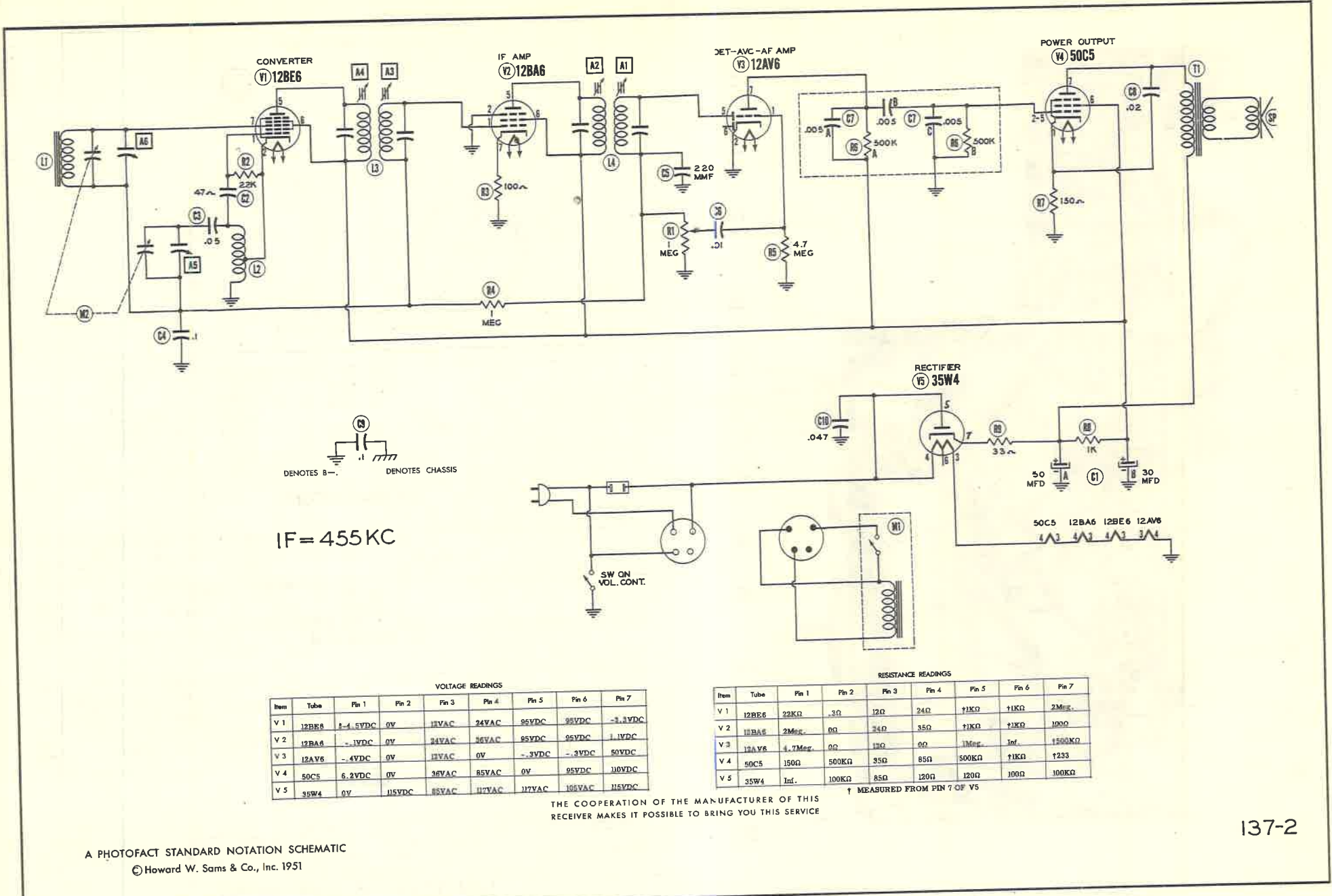
ITEM No.	USE	DC RES.		REPLACEMENT DATA		INSTALLATION NOTES
		PRI.	SEC.	ADMIRAL PART No.	MEISSNER PART No.	
L1	Loop Ant.	.2 Ω		69C143		
L2	Osc. Coil	6.8 Ω		69A52-4		Tap 6.2 Ω
L3	1st. IF Coil	20 Ω	20 Ω	72B28-7		
L4	2nd. IF Coil	20 Ω	20 Ω	72B28-7		

MISCELLANEOUS

ITEM No.	PART NAME	ADMIRAL PART No.	NOTES
M1	Switch	91C4-14	Auto-On-Off
M2	2 Gang Var. Cap.	68B39	(24-326MMF, 17-252MMF)
	Dial Pointer	25A46-1	
	Knob	33D55-25	Off-Volume
	Knob	33D55-24	Tuning, Ebony
	Knob	33D55-23	Tuning, Manogany
	Knob	33D53-26	Tuning, Ivory

CHASSIS—BOTTOM VIEW





VOLTAGE READINGS

Item	Tube	Pin 1	Pin 2	Pin 3	Pin 4	Pin 5	Pin 6	Pin 7
V 1	12BE6	1-4.5VDC	0V	11VAC	24VAC	95VDC	95VDC	-1.2VDC
V 2	12BA6	1VDC	0V	24VAC	36VAC	95VDC	95VDC	1.1VDC
V 3	12AV6	4.4VDC	0V	11VAC	0V	-3VDC	-3VDC	50VDC
V 4	50C5	6.2VDC	0V	36VAC	85VAC	0V	95VDC	110VDC
V 5	35W4	0V	115VDC	85VAC	117VAC	117VAC	105VAC	115VDC

RESISTANCE READINGS

Item	Tube	Pin 1	Pin 2	Pin 3	Pin 4	Pin 5	Pin 6	Pin 7
V 1	12BE6	22KΩ	3Ω	12Ω	24Ω	†1KΩ	†1KΩ	2MΩ
V 2	12BA6	2MΩ	0Ω	24Ω	35Ω	†1KΩ	†1KΩ	100Ω
V 3	12AV6	4.7MΩ	0Ω	12Ω	0Ω	1MΩ	Inf.	1500KΩ
V 4	50C5	150Ω	500KΩ	35Ω	85Ω	500KΩ	†1KΩ	†233
V 5	35W4	Inf.	100KΩ	85Ω	120Ω	120Ω	100Ω	100KΩ

† MEASURED FROM PIN 7 OF V5

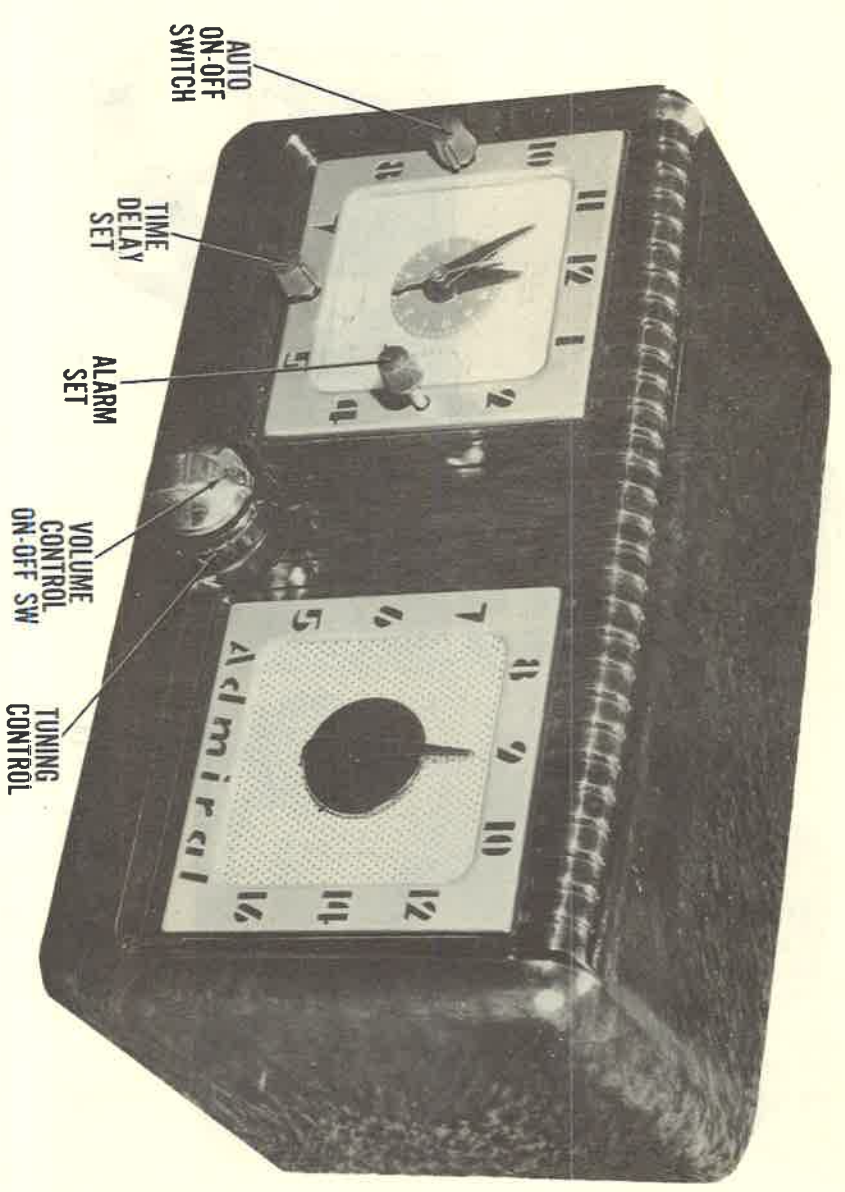
THE COOPERATION OF THE MANUFACTURER OF THIS RECEIVER MAKES IT POSSIBLE TO BRING YOU THIS SERVICE

A PHOTOFAC STANDARD NOTATION SCHEMATIC
©Howard W. Sams & Co., Inc. 1951

137-2

- DC Voltage measurements are at 20,000 ohms per volt; AC Voltages measured at 1,000 ohms per volt.
- Socket connections are shown as bottom views.
- Measured values are from socket pin to common negative.
- Line voltage maintained at 117 volts for voltage readings.
- Nominal tolerance on component values makes possible a variation of + 10% in voltage and resistance readings.
- Volume control at maximum, no signal applied for voltage measurements.

ADMIRAL CHASSIS 5G2



PHOTOFAC* Folder



ADMIRAL CHASSIS 5G2

ADMIRAL CHASSIS 5G2

ADMIRAL MODEL 5G22

TRADE NAME: Admiral, Models 5G21, 5G21/15, 5G22, 5G22/15, 5G23, 5G23/15 (Ch. 5G2)

MANUFACTURER: Admiral Corp., 3800 W. Cortland, Chicago, Illinois

TYPE SET: AC Operated Superheterodyne Receiver with Electric Clock

TUBES (FIVE): Types 12BE6 Converter, 12BA6 IF Amp., 12AV6 DET.-AVC.-AF, 50C5 Power Output, 35W4 Rectifier

POWER SUPPLY: 110-120 Volts

TUNING RANGE: BROADCAST 535-1620KC

ALIGNMENT INSTRUCTIONS—READ CAREFULLY BEFORE ATTEMPTING ALIGNMENT

Use isolation transformer if available. If not connect a .1MFD capacitor in series with low side of signal generator and B-. Loop should be maintained in same relative position to chassis as when receiver is in cabinet. Volume control should be at maximum position. Output of signal generator should be no higher than necessary to obtain an output reading. Use an insulated alignment screwdriver for adjusting.

DUMMY ANTENNA	SIGNAL GENERATOR COUPLING	SIGNAL GENERATOR FREQUENCY	RADIO DIAL SETTING	OUTPUT METER	ADJUST	REMARKS
250MMF	High side to stator on rear section of tuning gang. Low side to B-	455KC (400 Mod.)	Tuning gang fully open.	Across voice coil.	A1, A2, A3, A4	Adjust for maximum output.
"	"	1620KC	"	"	A5	"
Loop	"	1400KC	Tune for max. output.	"	A6	Fashion loop of several turns of wire and radiate signal into loop of receiver. Adjust for maximum output.

Replace set in cabinet and tune in the 1400KC generator signal. Set dial pointer horizontal pointing to the right. (if on dial).

HOWARD W. SAMS & CO., INC. • Indianapolis 1, Indiana

"The listing of any available replacement part herein does not constitute in any case a recommendation, warranty or guaranty by Howard W. Sams & Co., Inc., as to the quality and suitability of such replacement part. The numbers of these parts have been compiled from information furnished to Howard W. Sams & Co., Inc., by the manufacturers of the particular type of replacement part listed."

*Reproduction or use, without express permission, of editorial or pictorial content, in any manner, is prohibited. No patent liability is assumed with respect to the use of the information contained herein. Copyright 1951 by Howard W. Sams & Co., Inc., Indianapolis, Indiana, U.S. of America. Copyright under International Copyright Union. All rights reserved under International Copyright Union (1910) by Howard W. Sams & Co., Inc. Printed in U.S. of America

DATE 7-51 SET 137 FOLDER 2